

# M&F

## Oleodinamica

### Hydraulic Hand Pumps

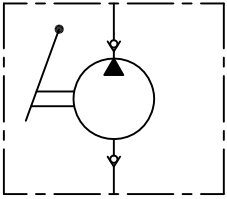


[www.mefoledinamica.com](http://www.mefoledinamica.com)

TYPE  
MF-W

CODE  
20.XX.02

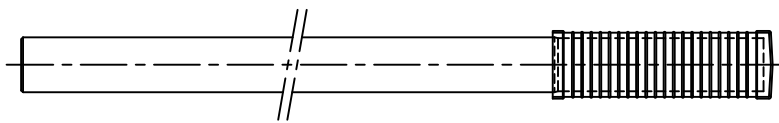
MF-W= Hand Pump without  
release handknob



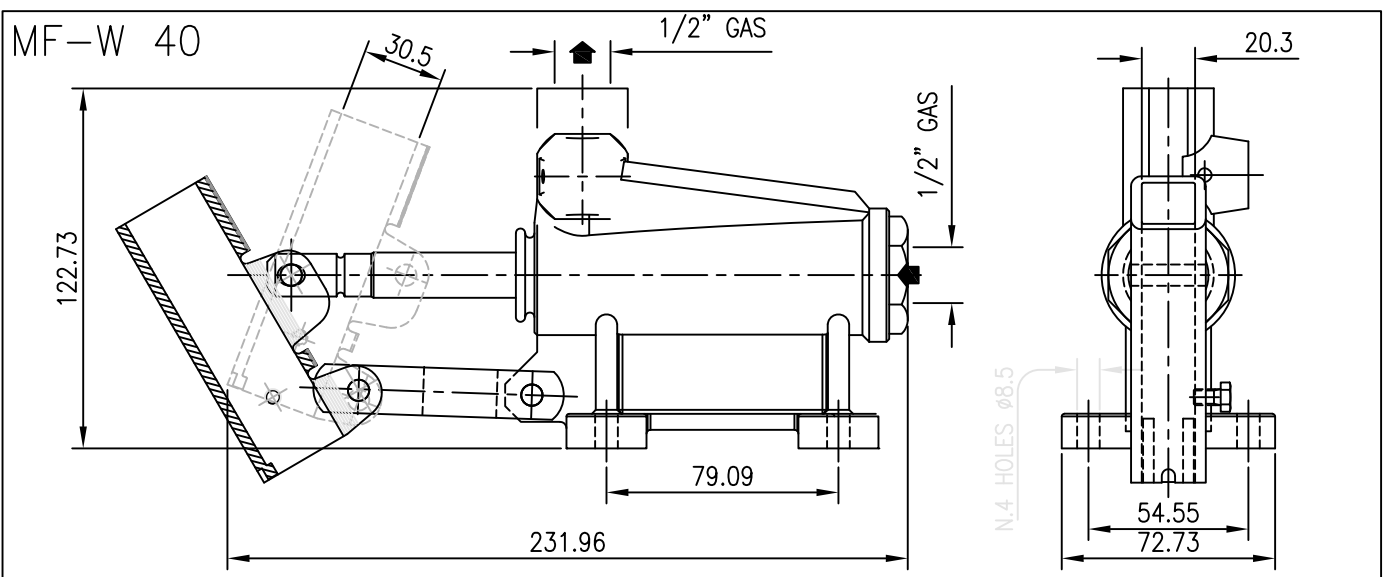
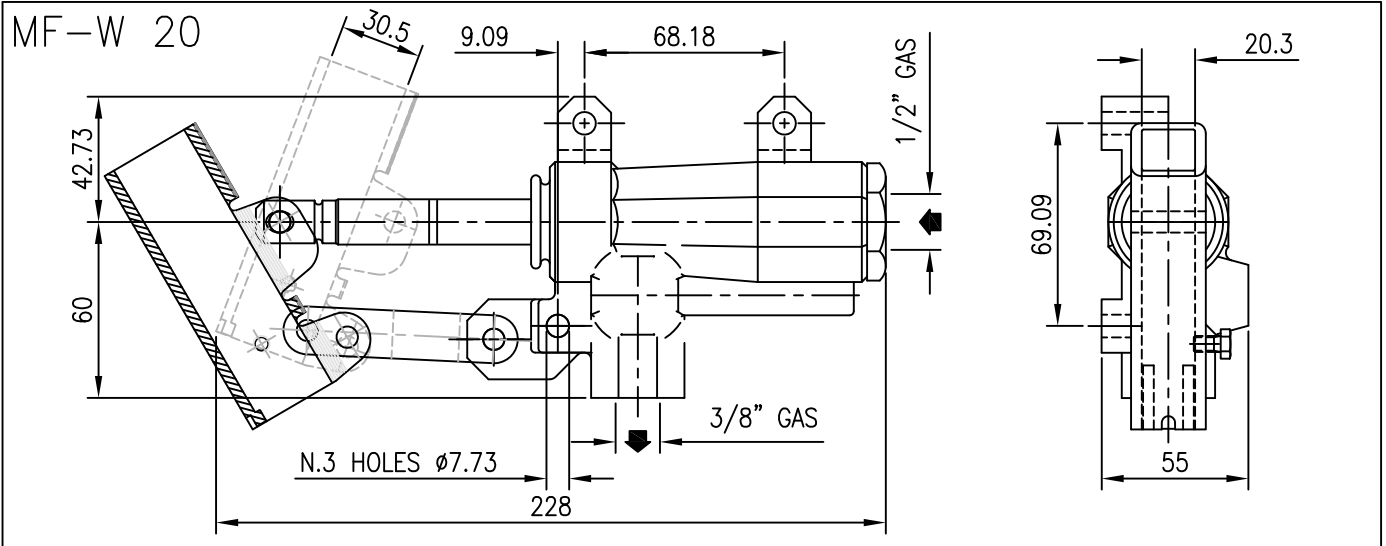
Pump for  
single acting cylinder

PUMP TYPE	DELIVERY	MAX. PRESSURE	WEIGHT
	cm <sup>3</sup>	Bar	Kg.
MF-W 20 COD. 202002	20	350	2.750
MF-W 40 COD. 204002	40	280	3.600
-	-	-	-

LEVER 20x30x600



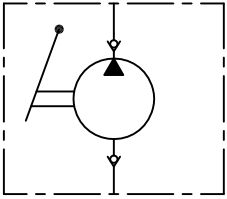
COD: 370000



TYPE  
MF-WB

CODE  
20.XX.03

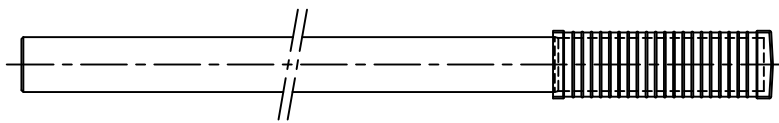
MF-WB= Hand Pump with bellows and without release handknob



Pump for single acting cylinder

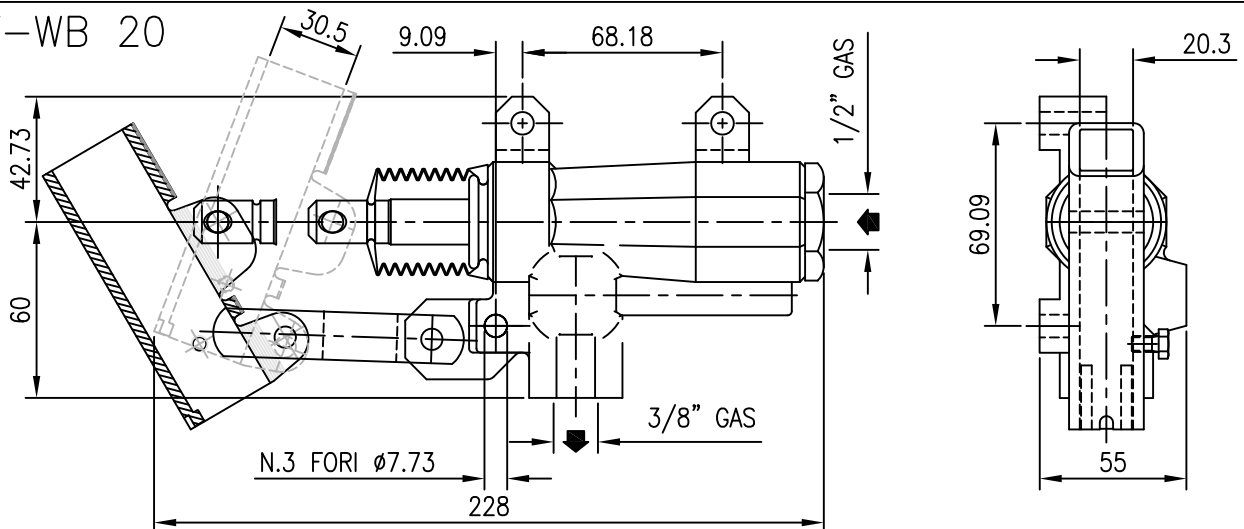
PUMP TYPE	DELIVERY	MAX. PRESSURE	WEIGHT
	cm <sup>3</sup>	Bar	Kg.
MF-WB 20 COD. 202003	20	350	2.850
MF-WB 40 COD. 204003	40	280	3.650
-	-	-	-

LEVER 20x30x600

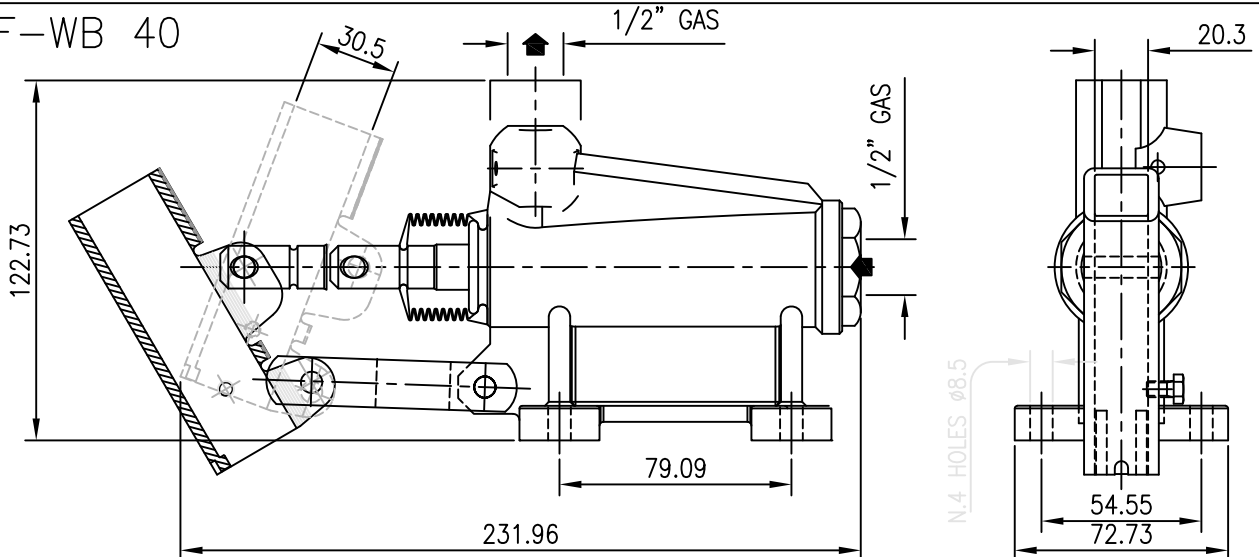


COD: 370000

MF-WB 20



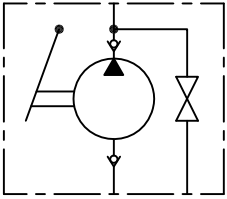
MF-WB 40



TYPE  
MF-H

CODE  
20.XX.00

MF-H= Hand Pump without tank predisposition



Pump for single acting cylinder

PUMP TYPE

DELIVERY

MAX. PRESSURE

WEIGHT

cm<sup>3</sup>

Bar

Kg.

MF-H 20 COD. 202000

20

350

2.750

MF-H 40 COD. 204000

40

280

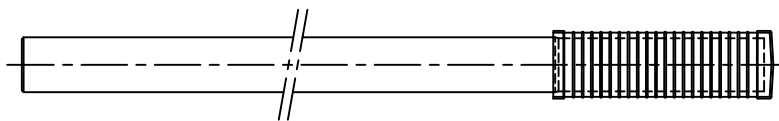
3.650

ON REQUEST

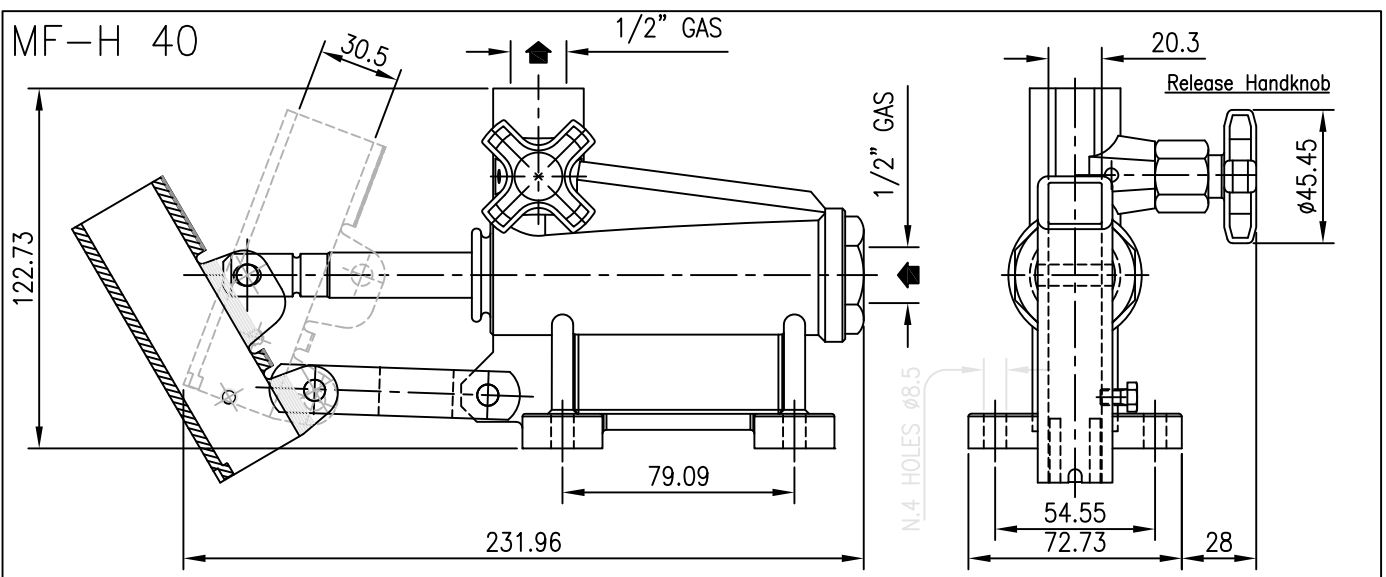
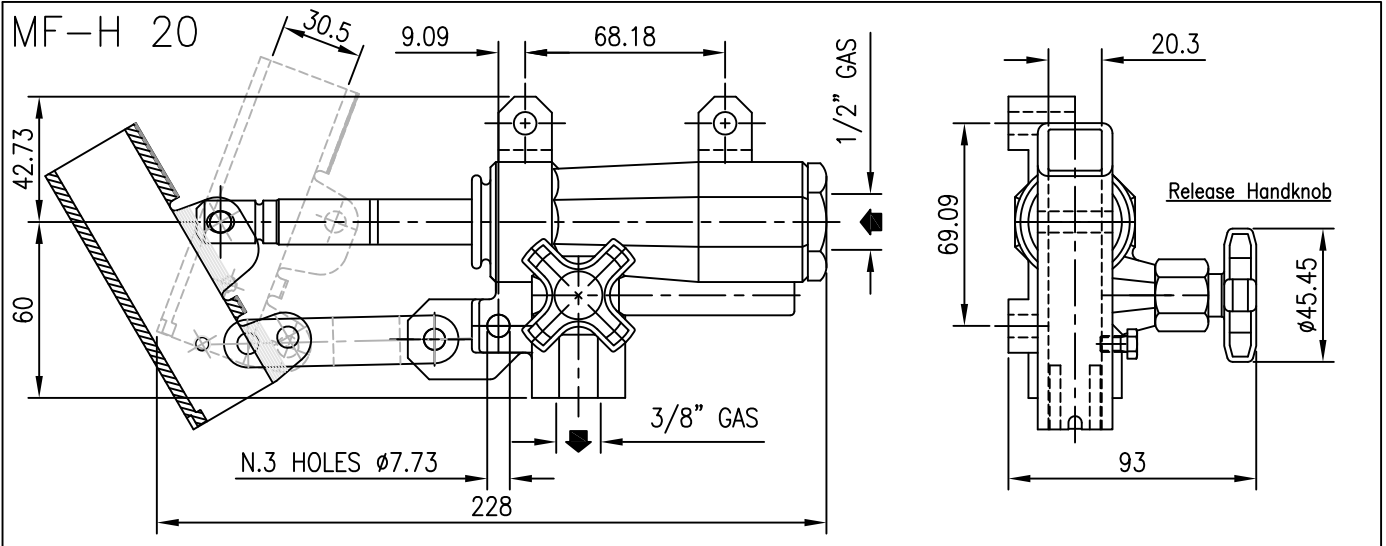
Max Relief valve instead of release handknob

COD: 20XX07

LEVER 20x30x600



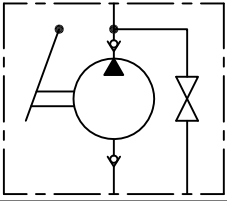
COD: 370000



TYPE  
MF-HB

CODE  
20.XX.01

MF-H= Hand Pump without tank predisposition



Pump for single acting cylinder

PUMP TYPE

DELIVERY

MAX. PRESSURE

WEIGHT

cm<sup>3</sup>

Bar

Kg.

MF-HB 20 COD. 202001

20

350

2.850

MF-HB 40 COD. 204001

40

280

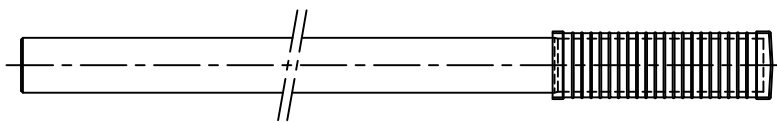
3.700

ON REQUEST

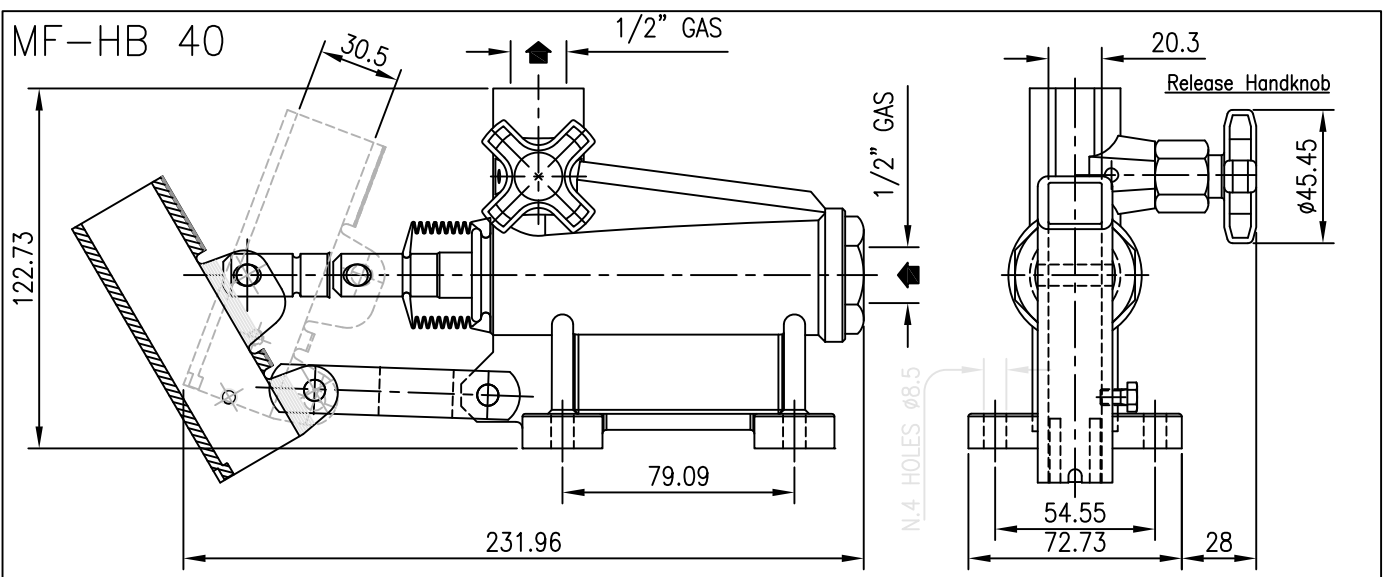
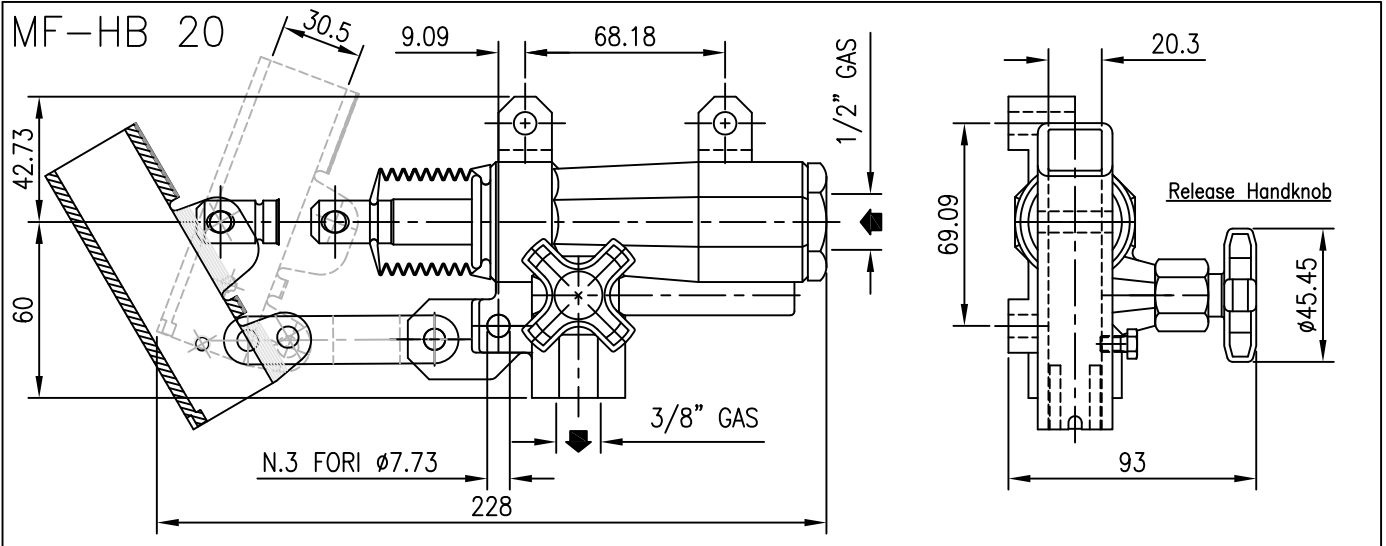
Max Relief valve instead of release handknob

COD: 20XX07

LEVER 20x30x600



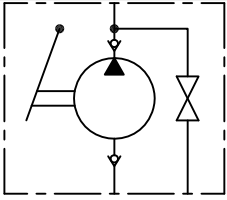
COD: 370000



TYPE  
MF

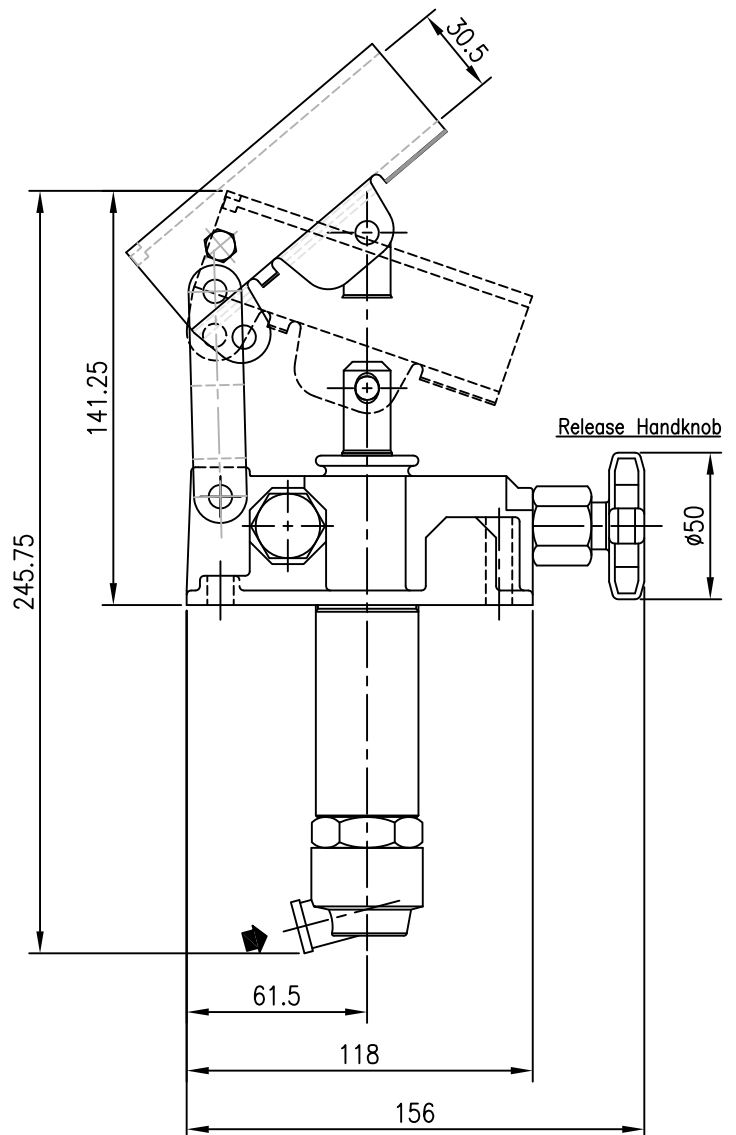
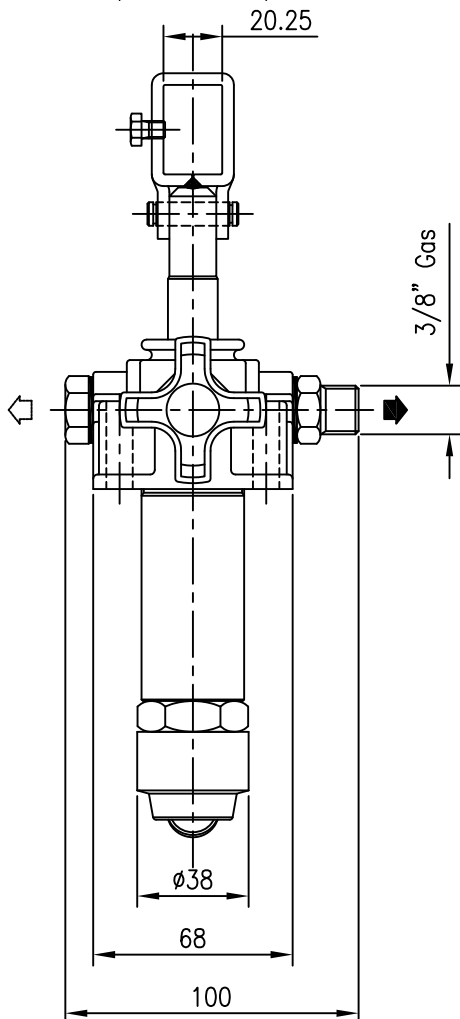
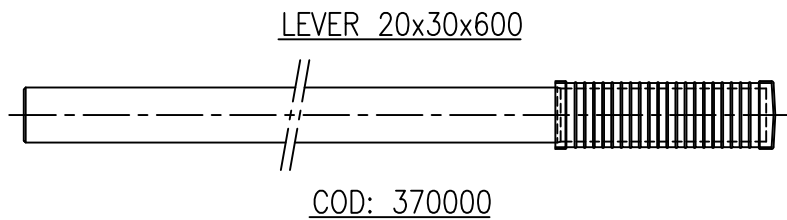
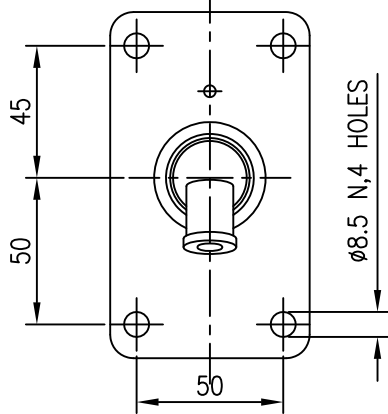
CODE  
10.XX.00

MF = Hand Pump with tank predisposition



Pump for single acting cylinder

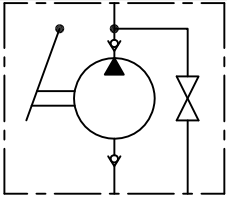
PUMP TYPE	DELIVERY	MAX. PRESSURE	WEIGHT
	cm <sup>3</sup>	Bar	Kg.
MF 12 COD. 101200	12	380	2.850
MF 25 COD. 102500	25	350	2.950
MF 45 COD. 104500	45	280	3.150
ON REQUEST	MAX. RELIEF VALVE		COD: 10XX07



TYPE  
MF-B

CODE  
14.XX.02

MF-B= Hand Pump with bellows



Pump for single acting cylinders

PUMP TYPE

DELIVERY

MAX. PRESSURE

WEIGHT

cm3

Bar

Kg.

MF-B 12 COD. 101202

12

380

2.900

MF-B 25 COD. 102502

25

350

3.050

MF-B 45 COD. 104502

45

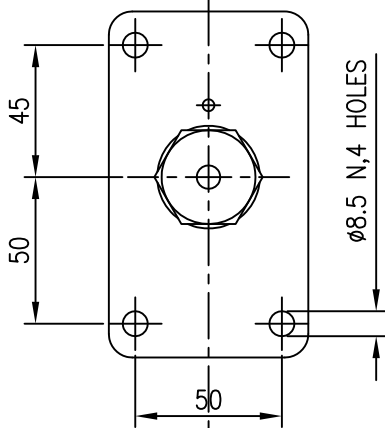
280

3.200

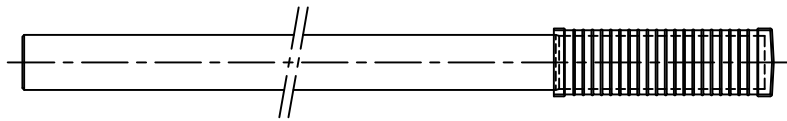
ON REQUEST

MAX. RELIEF VALVE

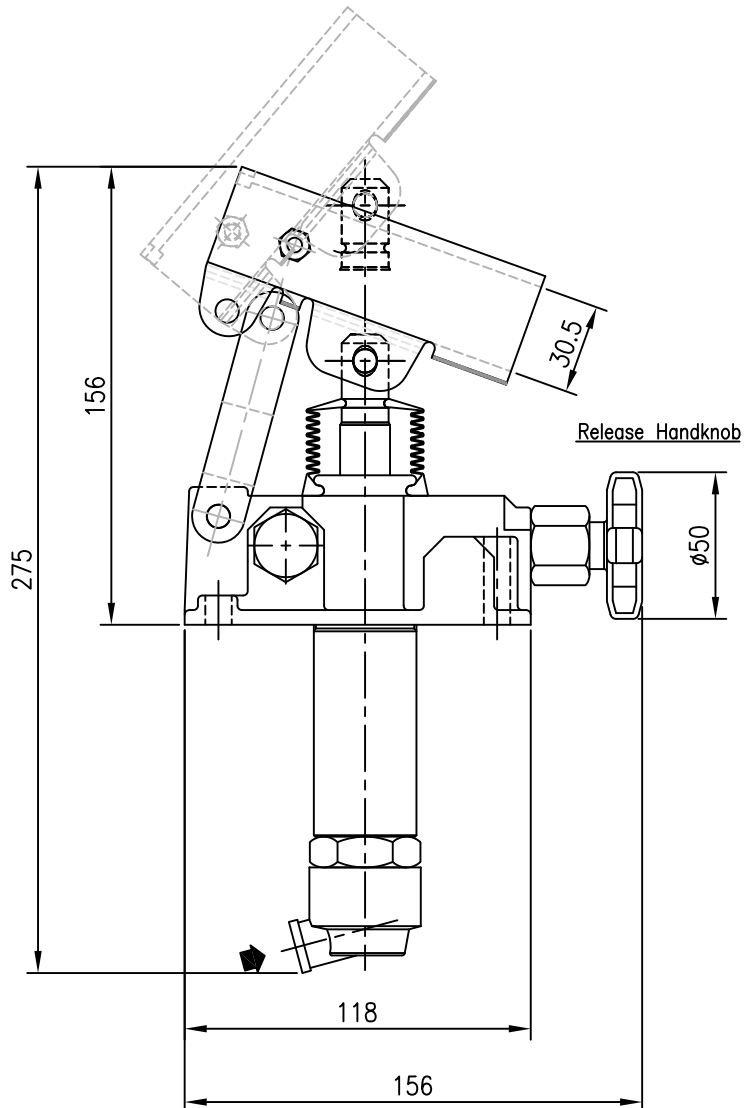
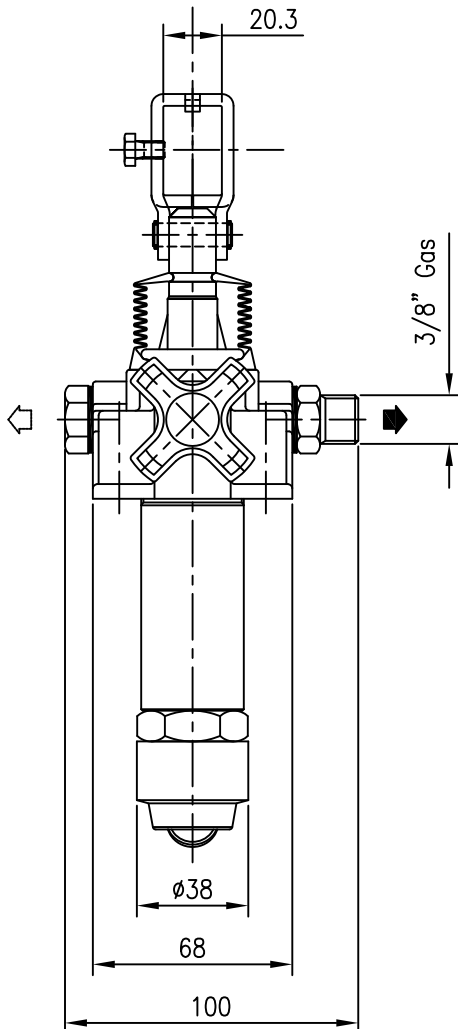
COD: 10XX07



LEVER 20x30x600



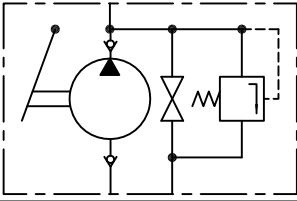
COD: 370000



TYPE  
MF-V

CODE  
10.XX.01

MF-V=Hand Pump with  
max. relief valve



PUMP TYPE

DELIVERY

MAX. PRESSURE

WEIGHT

cm<sup>3</sup>

Bar

Kg.

MF-V 12 COD. 101201

12

380

2.900

MF-V 25 COD. 102501

25

350

3.050

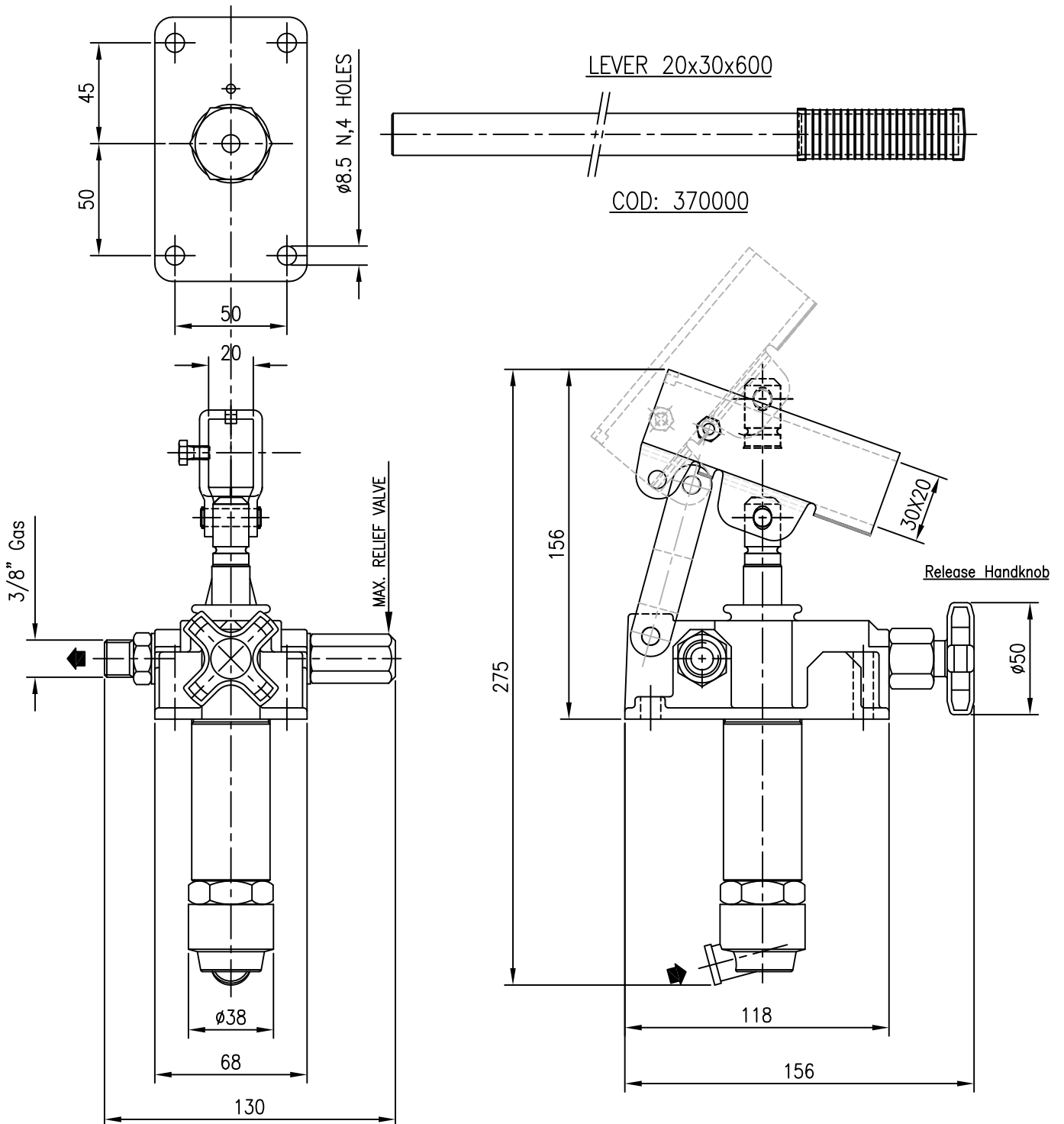
MF-V 45 COD. 104501

45

280

3.200

HAND PUMP WITH MAX RELIEF VALVE FOR SINGLE ACTING CYLINDERS

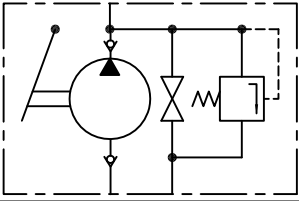




TYPE  
MF-VS

CODE  
10.XX.03

MF-V=Hand Pump with max. relief valve & bellows



PUMP TYPE

DELIVERY

MAX. PRESSURE

WEIGHT

cm<sup>3</sup>

Bar

Kg.

MF-VS 12 COD. 101203

12

380

2.900

MF-VS 25 COD. 102503

25

350

3.050

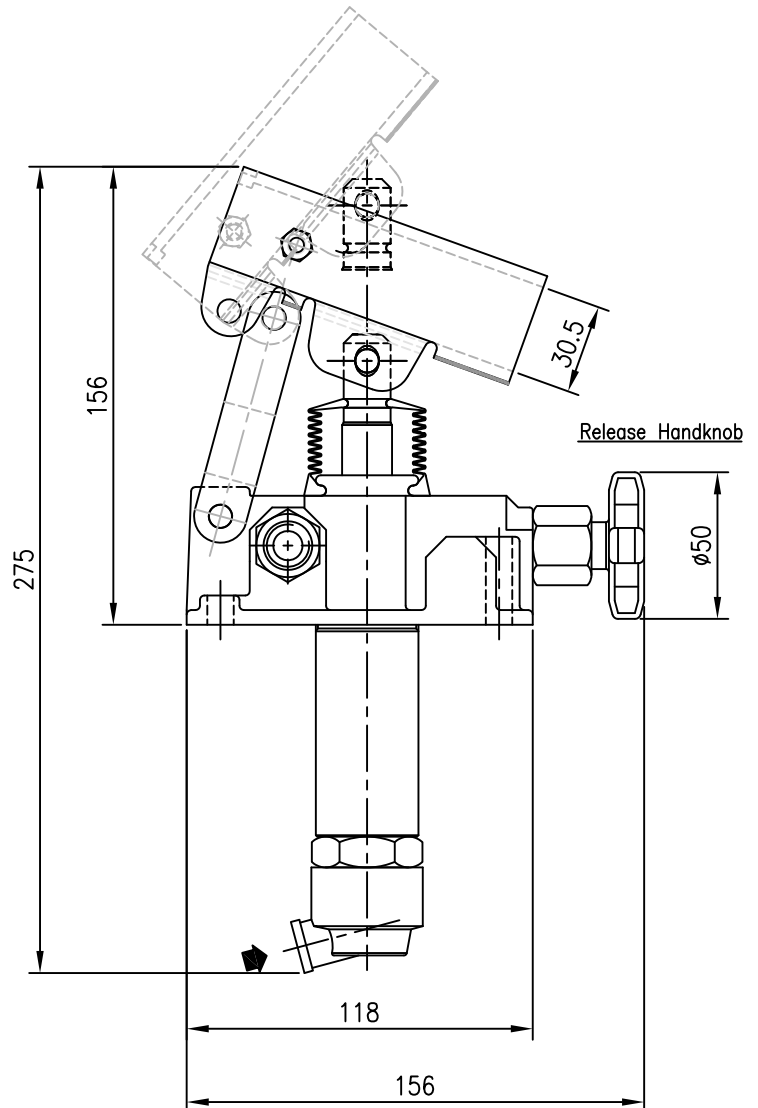
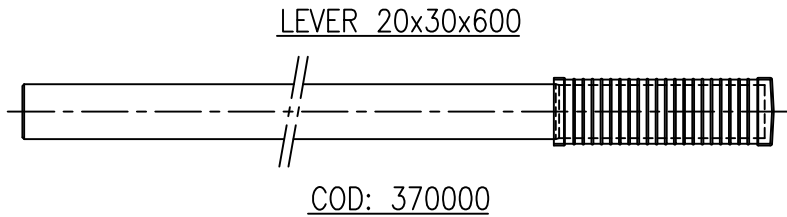
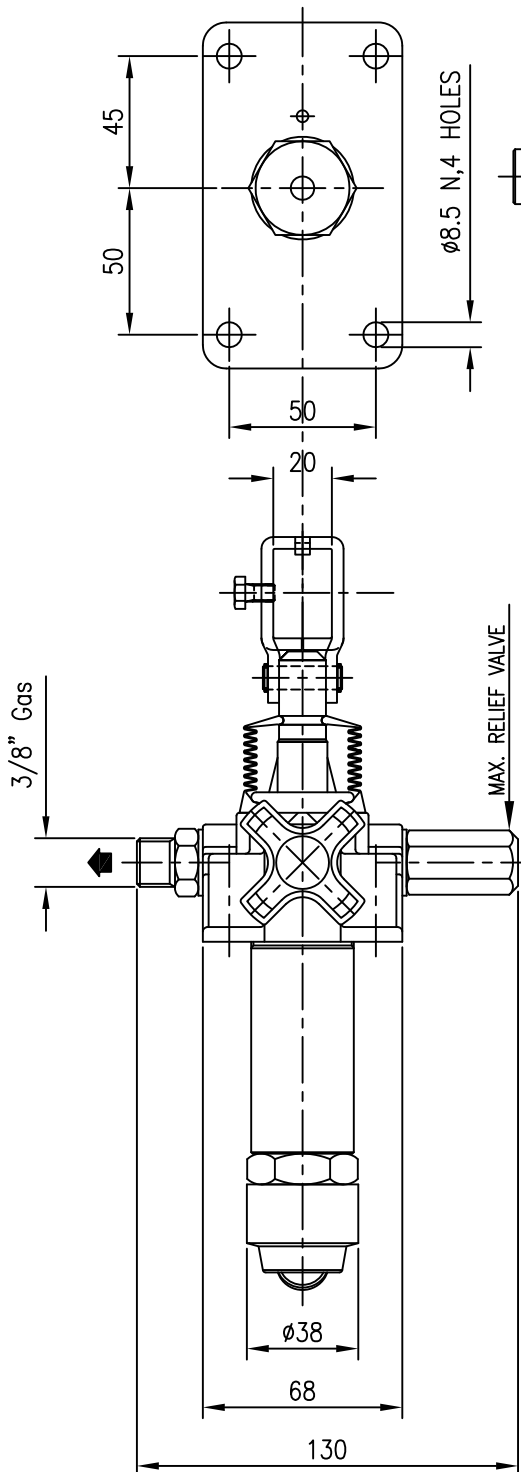
MF-VS 45 COD. 104503

45

280

3.200

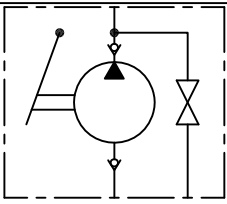
HAND PUMP WITH MAX RELIEF VALVE FOR SINGLE ACTING CYLINDERS



TYPE  
MF-T

CODE  
11.XX.00

MF-T=Hand Pump with Tank



Pump for  
single acting cylinder

PUMP TYPE

DELIVERY

MAX. PRESSURE

cm<sup>3</sup>

Bar

MF-T 12 COD. 111200

12

380

MF-T 25 COD. 112500

25

350

MF-T 45 COD. 114500

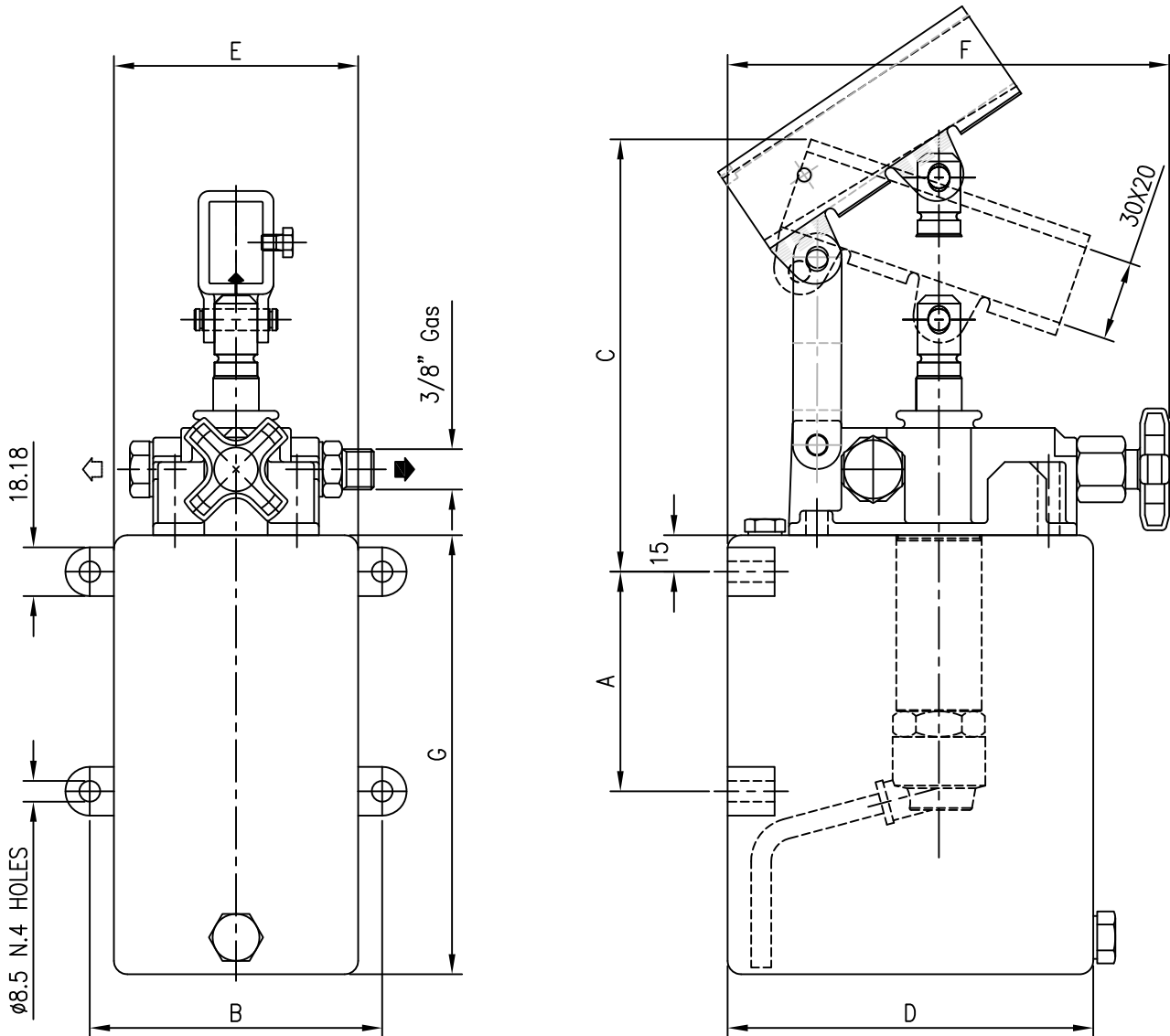
45

280

ON REQUEST

MAX. RELIEF VALVE

COD: 10XX07

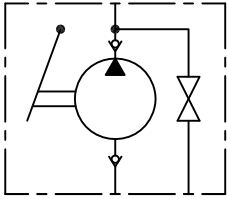


PUMP TYPE	TANK CAPACITY (Litre)	CODE	DIMENSIONS (mm)							TANK Kg
			A	B	C	D	E	F	G	
MF 12	1	110001	90	120	175	150	100	186	120	2
	2	110002							180	2.2
	3	110003							247	2.5
MF 25	5	110005	90	195	175	175	175	206	200	4.5
MF 45	7	110007							269	5.4
	10	110010							376	6.8

TYPE  
MF-TB

CODE  
11.XX.02

MF-TB= Hand Pump with bellows



Pump for single acting cylinder

PUMP TYPE

DELIVERY

MAX. PRESSURE

cm<sup>3</sup>

Bar

MF-TB 12 COD. 101202

12

380

MF-TB 25 COD. 102502

25

350

MF-TB 45 COD. 104502

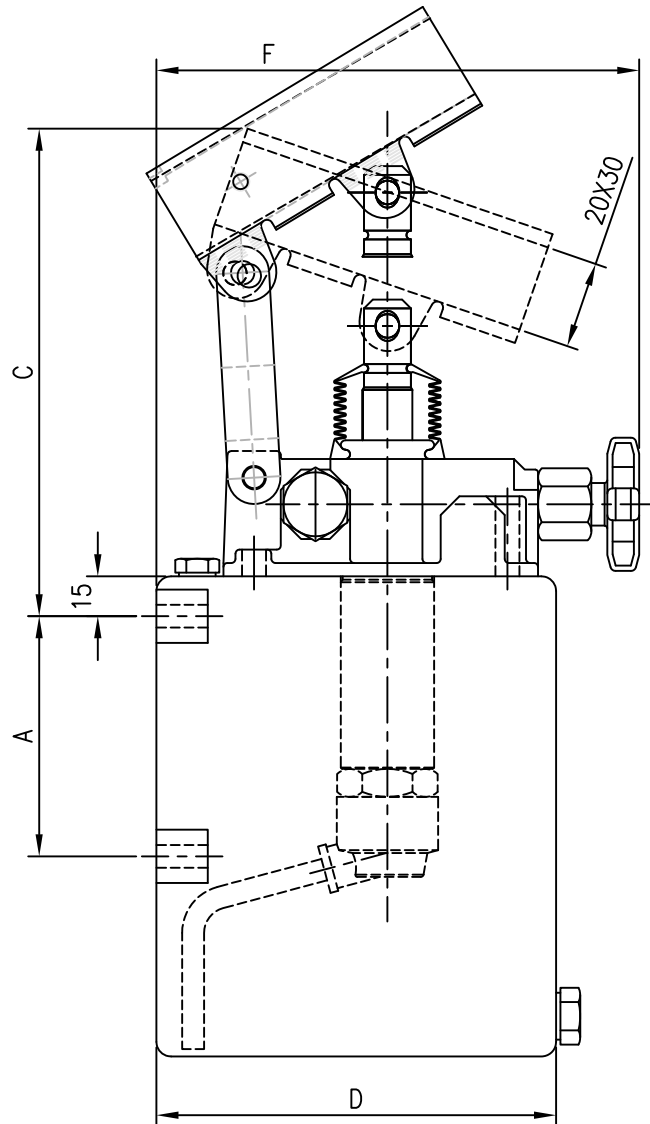
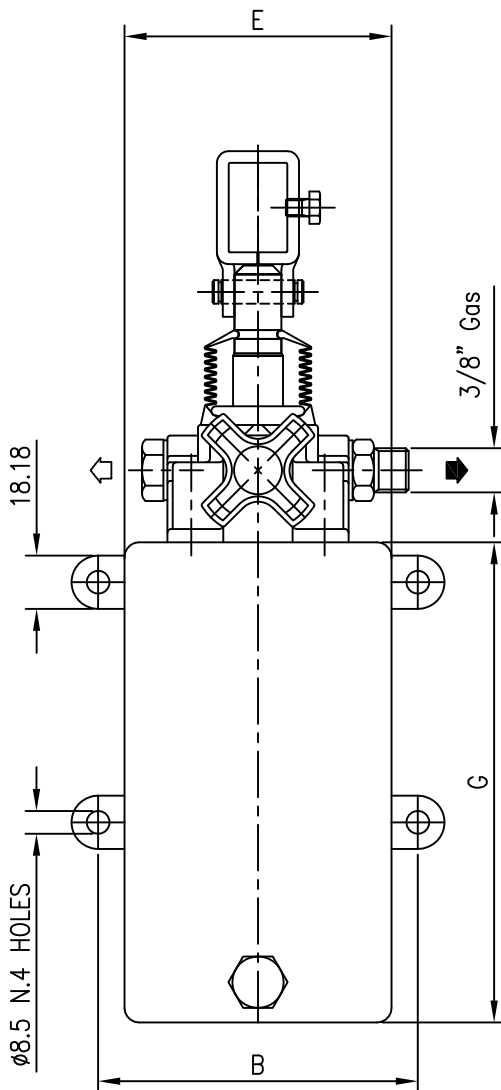
45

280

ON REQUEST

Max Relief valve

COD: 10XX07

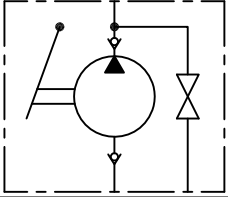


PUMP TYPE	TANK CAPACITY (Litre)	CODE	DIMENSIONS (mm)							TANK
			A	B	C	D	E	F	G	Kg
MF-TB 12	1	110001	90	120	175	150	100	186	120	2
	2	110002							180	2.2
	3	110003							247	2.5
MF-TB 25	5	110005	90	195	175	175	175	206	200	4.5
	7	110007							269	5.4
MF-TB 45	10	110010							376	6.8

TYPE  
MF-L

CODE  
10.XX.04

MF-L=Hand Pump with  
release lever



Pump for  
single acting cylinder

PUMP TYPE

DELIVERY

MAX. PRESSURE

WEIGHT

cm<sup>3</sup>

Bar

Kg.

MF-L 12 COD. 101204

12

380

2.850

MF-L 25 COD. 102504

25

350

2.950

MF-L 45 COD. 104504

45

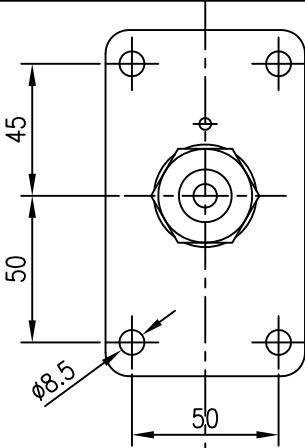
280

3.150

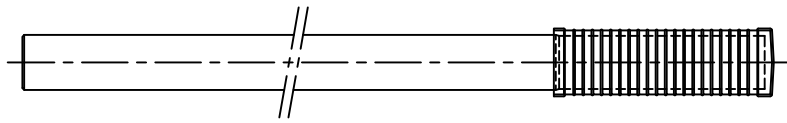
ON REQUEST

Max Relief valve

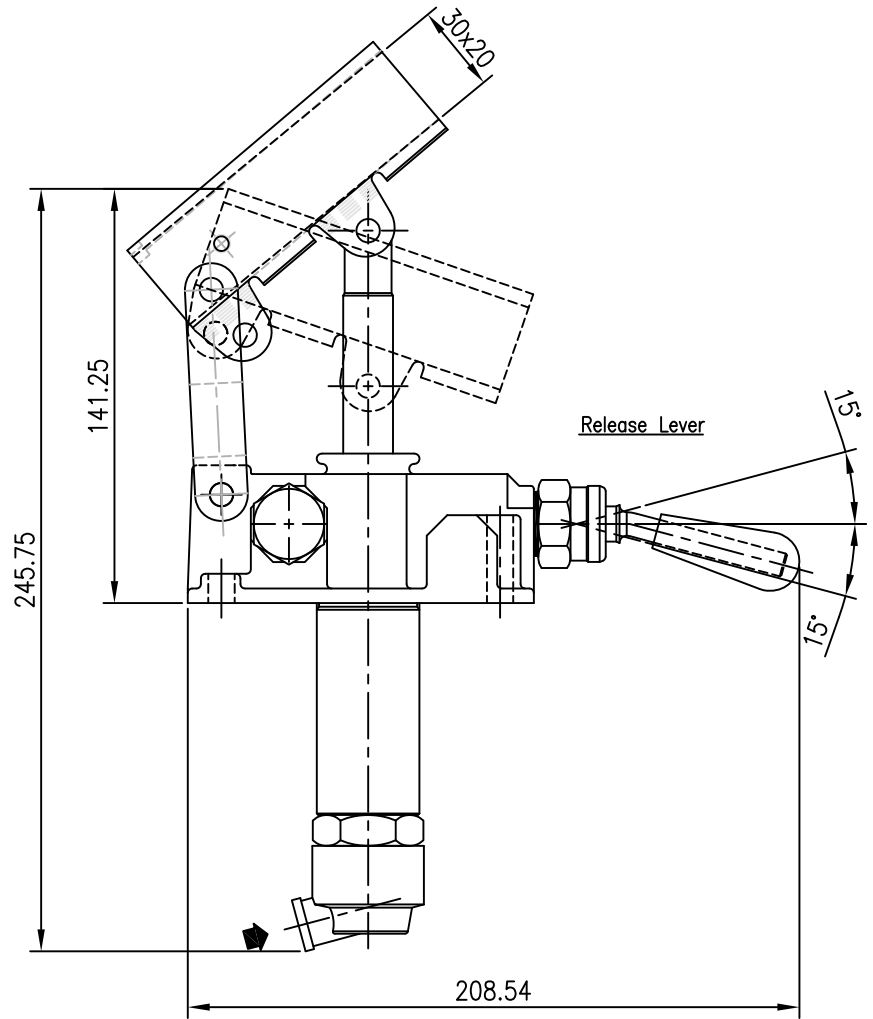
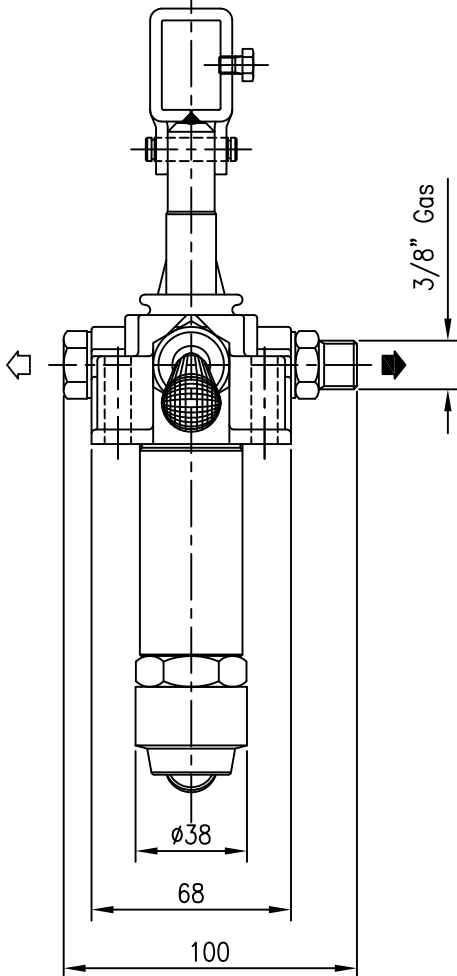
COD: 10XX07



LEVER 20x30x600



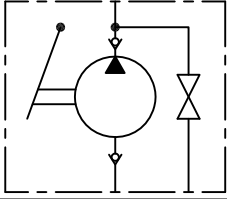
COD: 370000



TYPE  
MF-LB

CODE  
10.XX.06

MF-LB= Hand Pump with  
release lever & bellows



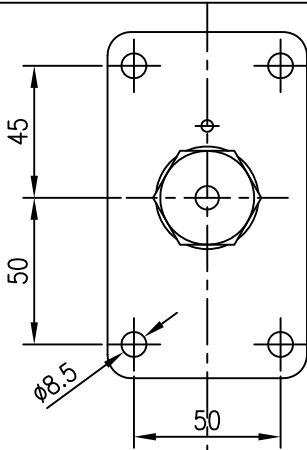
Pump for  
single acting cylinder

PUMP TYPE	DELIVERY	MAX. PRESSURE	WEIGHT
	cm <sup>3</sup>	Bar	Kg.
MF-LB 12 COD. 101206	12	380	2.900
MF-LB 25 COD. 102506	25	350	3.050
MF-LB 45 COD. 104506	45	280	3.200

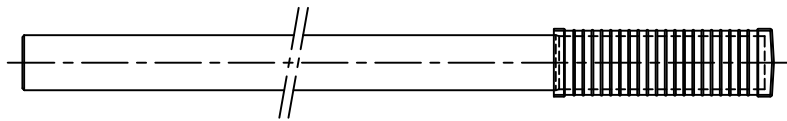
ON REQUEST

Max Relief valve

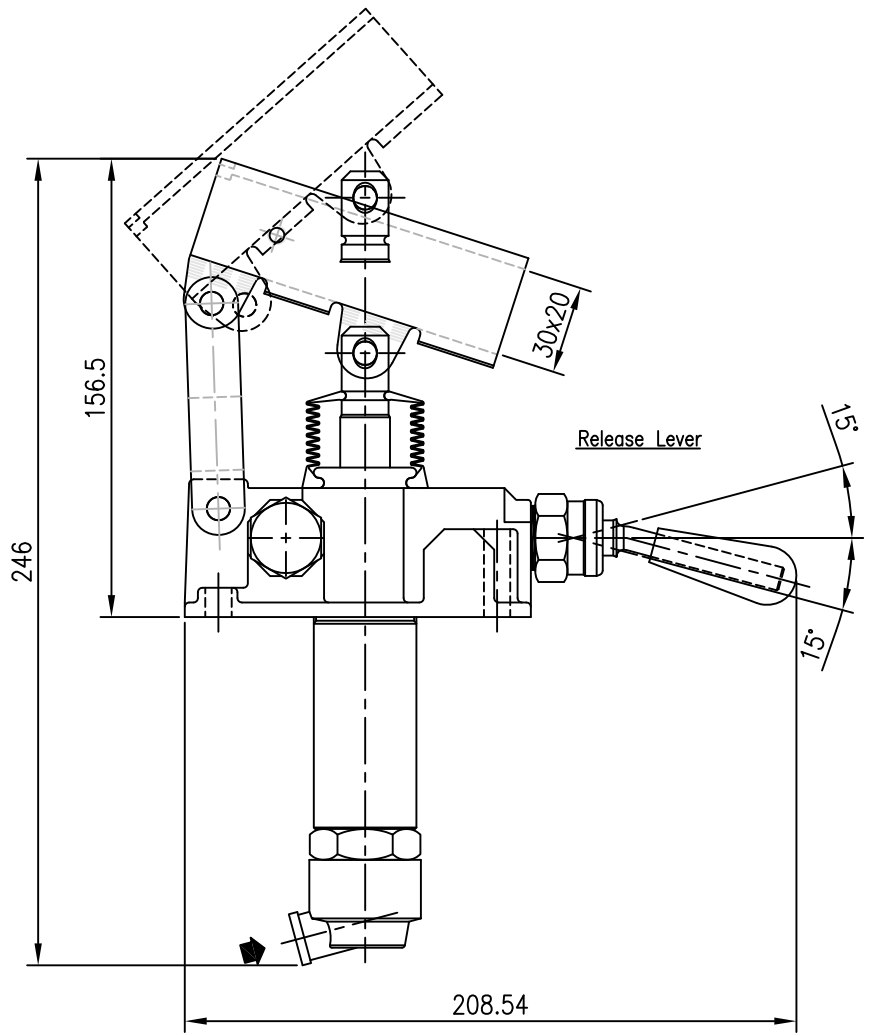
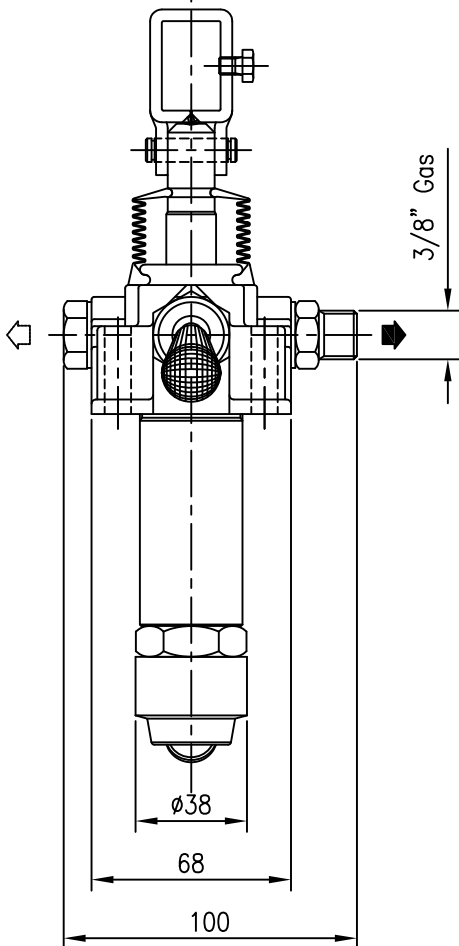
COD: 10XX07



LEVER 20x30x600



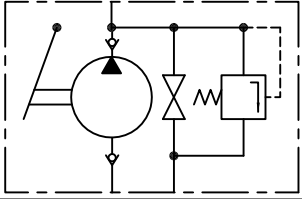
COD: 370000



TYPE  
MF-LV

CODE  
10.XX.05

MF-LV=Hand Pump with max. relief valve & release lever



PUMP TYPE

DELIVERY

MAX. PRESSURE

WEIGHT

cm<sup>3</sup>

Bar

Kg.

MF-LV 12 COD. 101205

12

380

2.850

MF-LV 25 COD. 102505

25

350

2.950

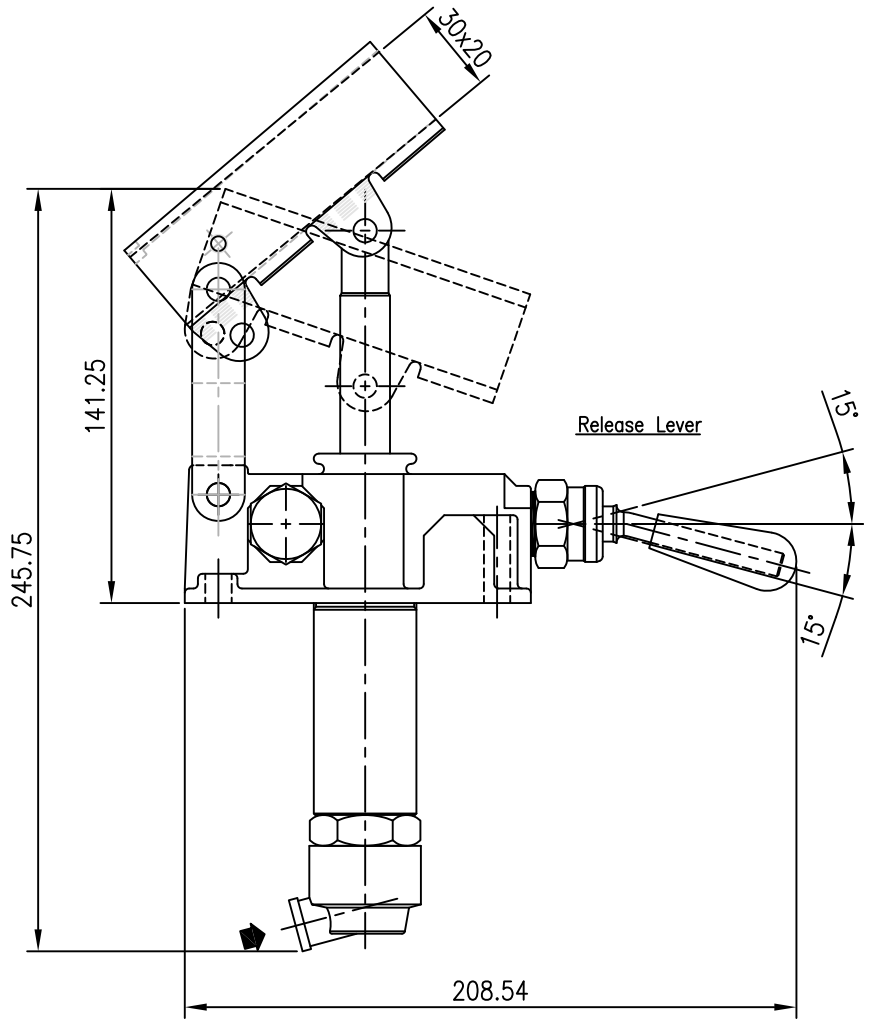
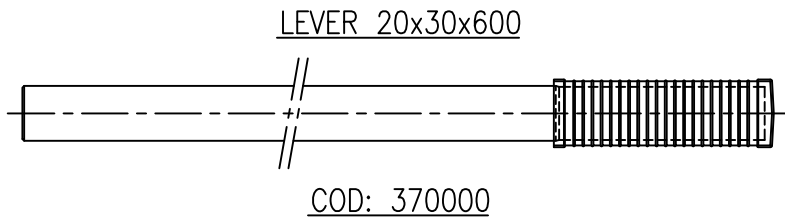
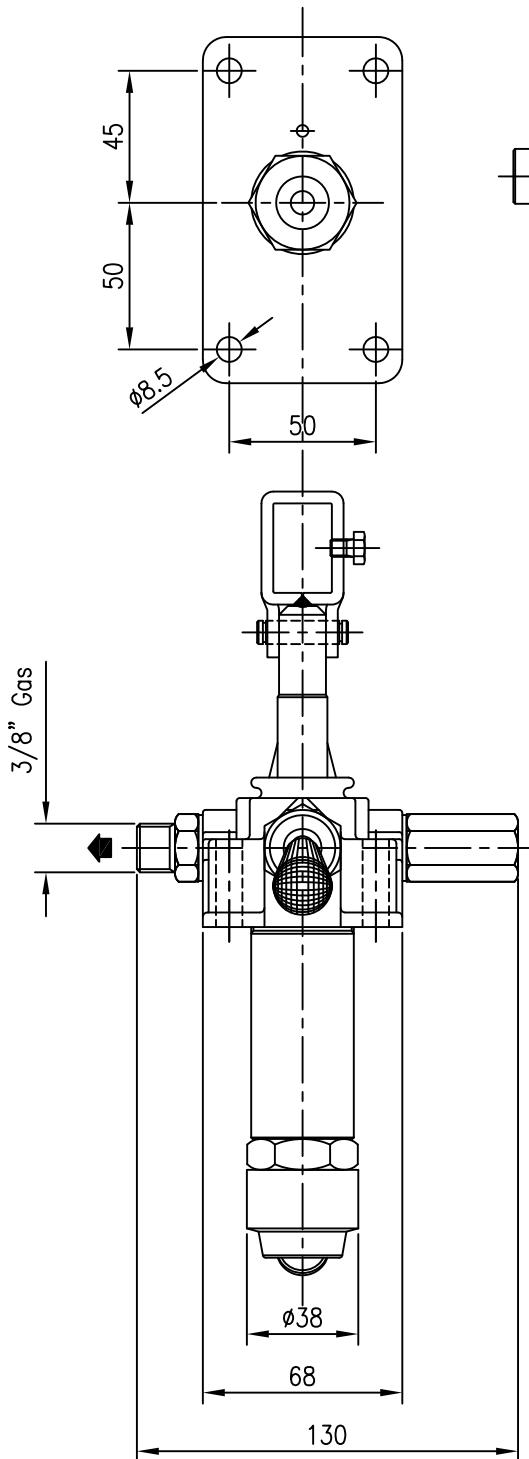
MF-LV 45 COD. 104505

45

280

3.150

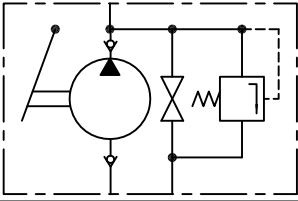
HAND PUMP WITH MAX RELIEF VALVE FOR SINGLE ACTING CYLINDERS



TYPE  
MF-LVB

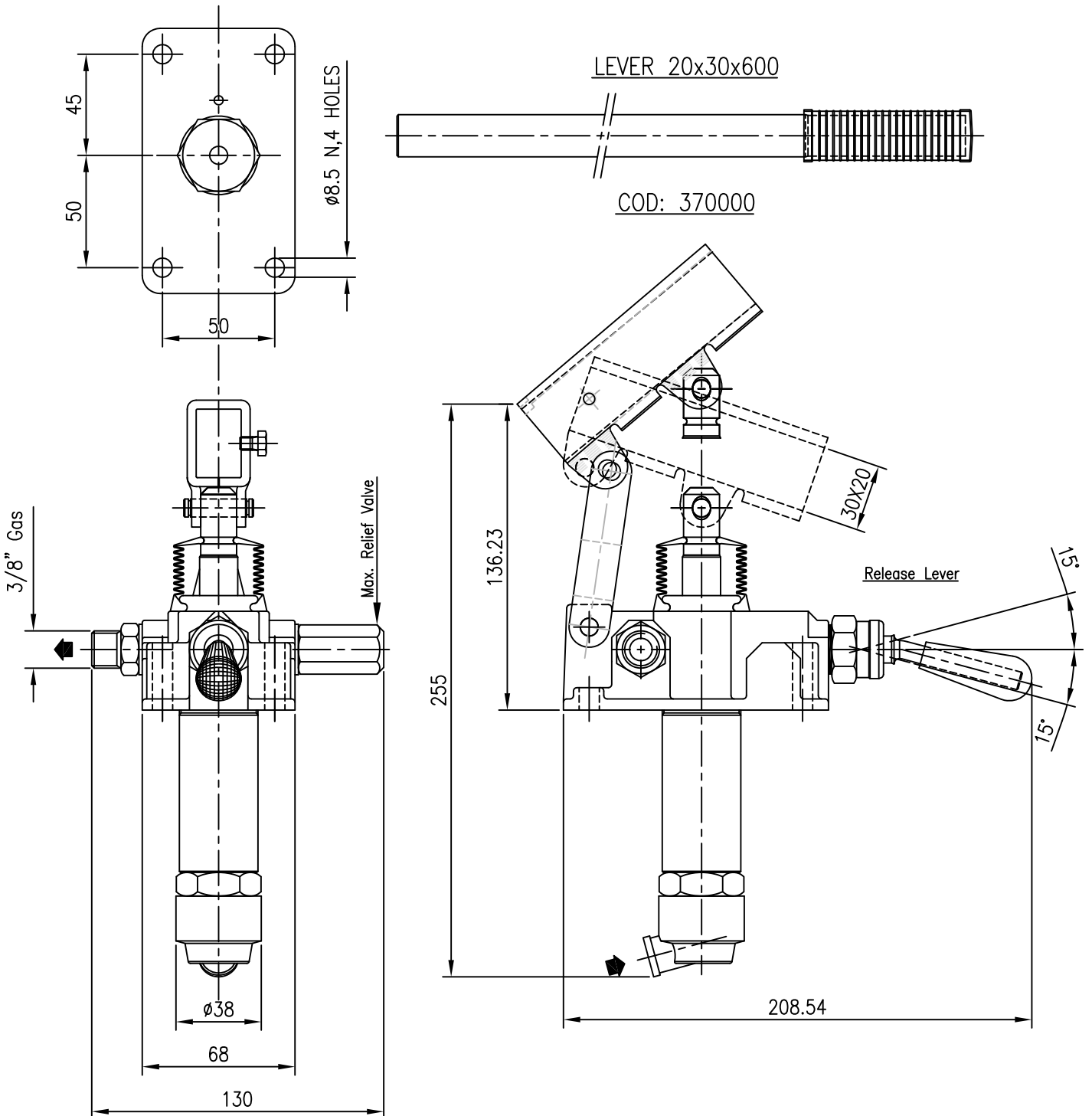
CODE  
14.XX.07

MF-LV=Hand Pump with relief valve, release lever & bellows



PUMP TYPE	DELIVERY	MAX. PRESSURE	WEIGHT
	cm3	Bar	Kg.
MF-LVB 12 COD. 101207	12	380	2.900
MF-LVB 25 COD. 102507	25	350	3.050
MF-LVB 45 COD. 104507	45	280	3.200

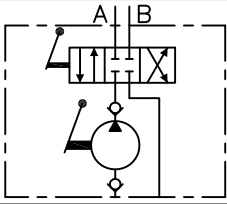
HAND PUMP WITH MAX RELIEF VALVE FOR SINGLE ACTING CYLINDERS



TYPE  
MF-D

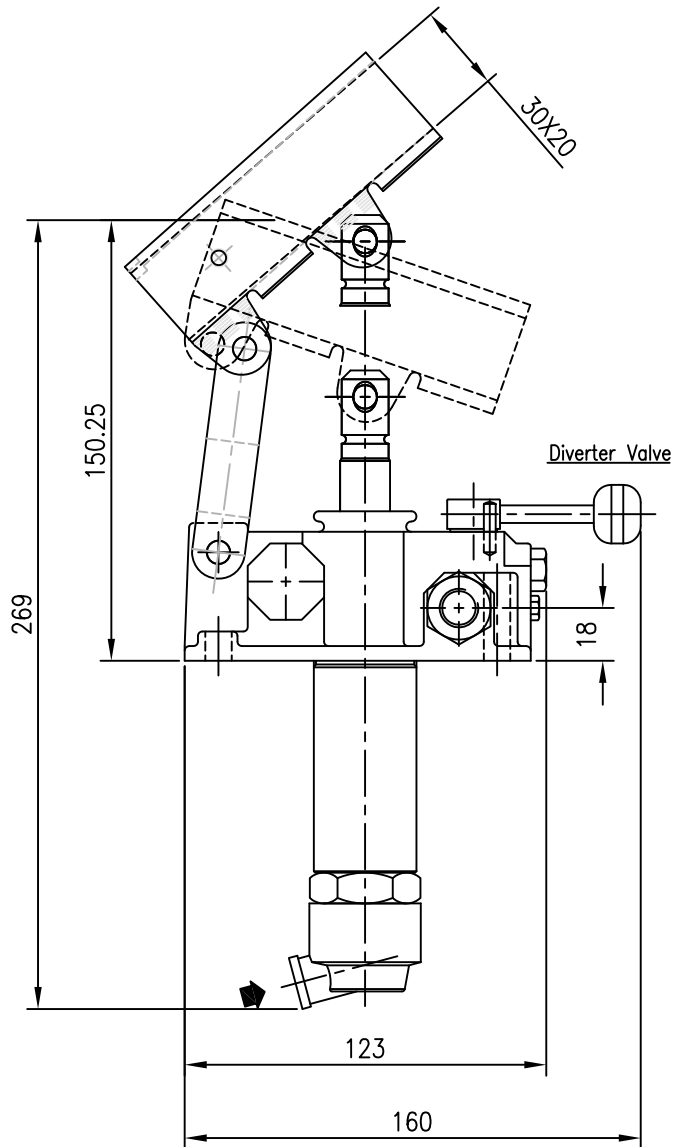
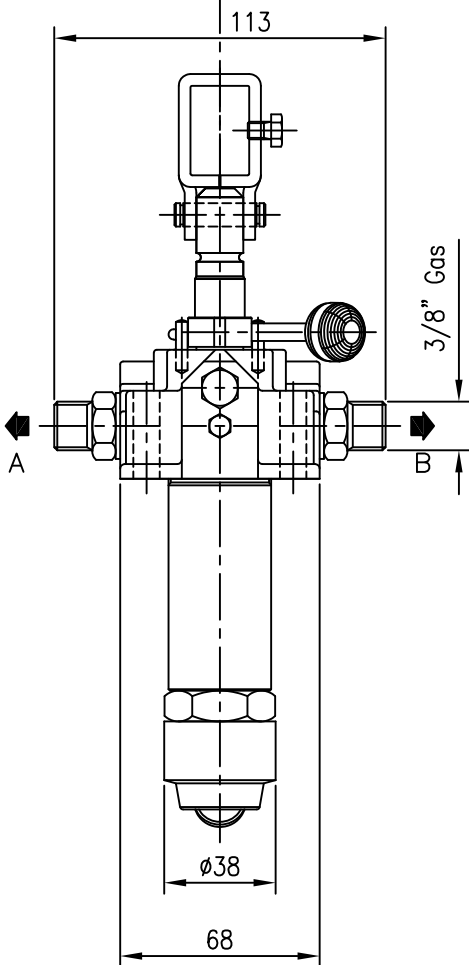
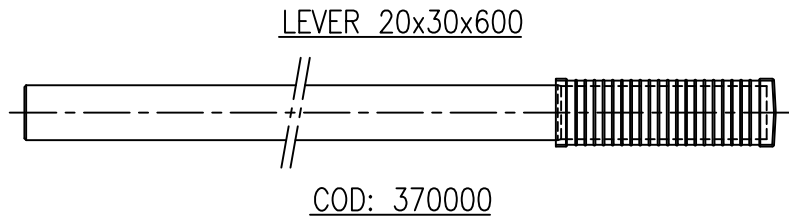
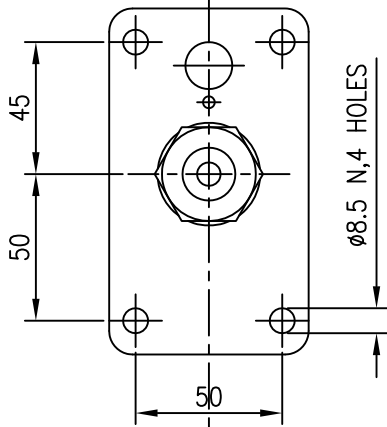
CODE  
12.XX.00

MF-D= Hand Pump with 4 ways diverter valve



Pump for  
double acting cylinder

PUMP TYPE	DELIVERY	MAX. PRESSURE	WEIGHT
	cm <sup>3</sup>	Bar	Kg.
MF-D 12 COD. 121200	12	380	2.850
MF-D 25 COD. 122500	25	350	2.950
MF-D 45 COD. 124500	45	280	3.150
ON REQUEST	Max Relief valve		10XX07

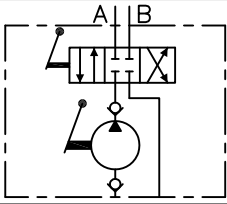




TYPE  
MF-DB

CODE  
12.XX.01

MF-DB=Hand Pump with 4 ways diverter valve & bellows



Pump for double acting cylinder

PUMP TYPE

DELIVERY

MAX. PRESSURE

WEIGHT

cm<sup>3</sup>

Bar

Kg.

MF-DB 12 COD. 121201

12

380

2.900

MF-DB 25 COD. 122501

25

350

3.000

MF-DB 45 COD. 124501

45

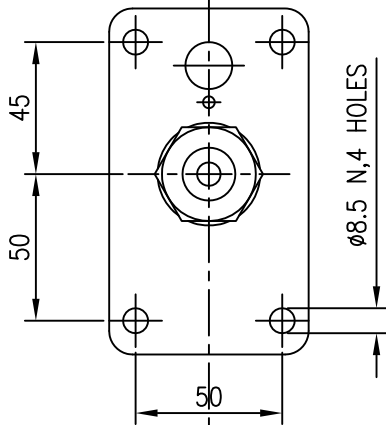
280

3.250

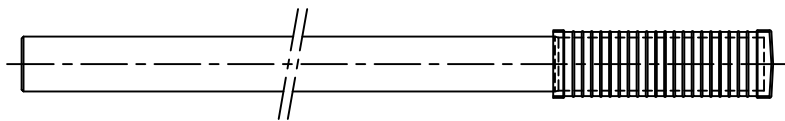
ON REQUEST

Max Relief valve

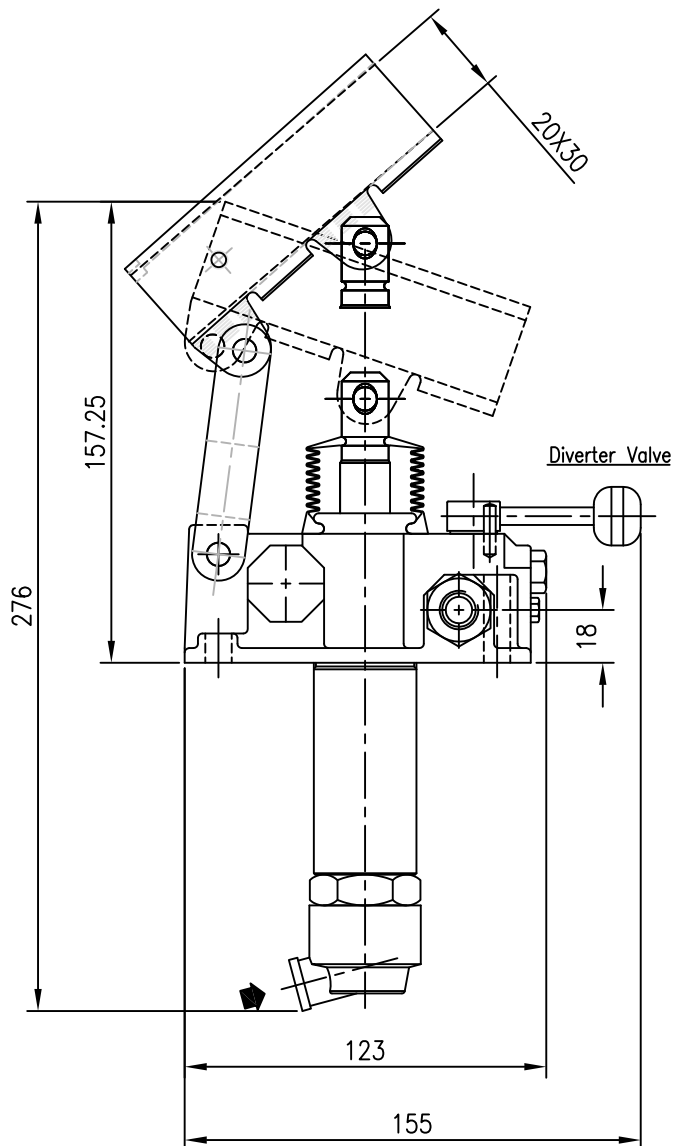
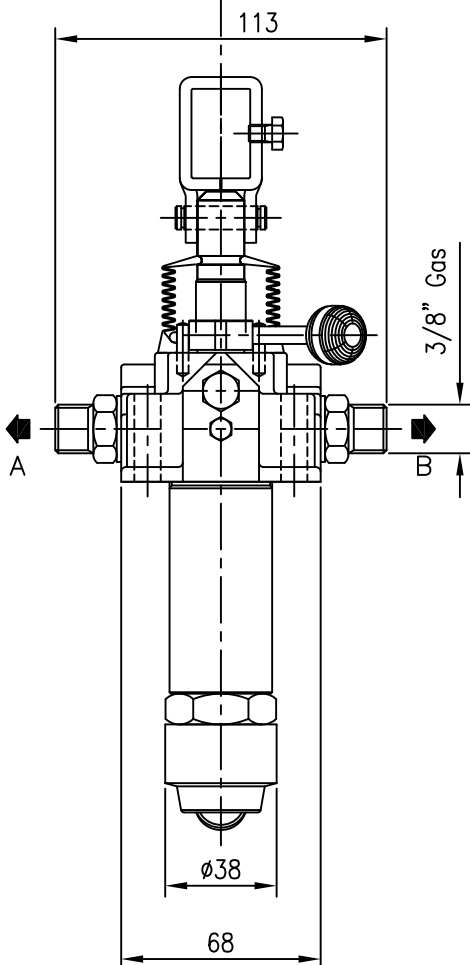
COD: 10XX07



LEVER 20x30x600



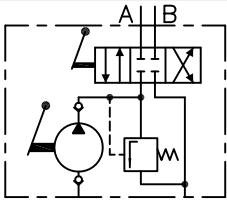
COD: 370000



TYPE  
MF-DV

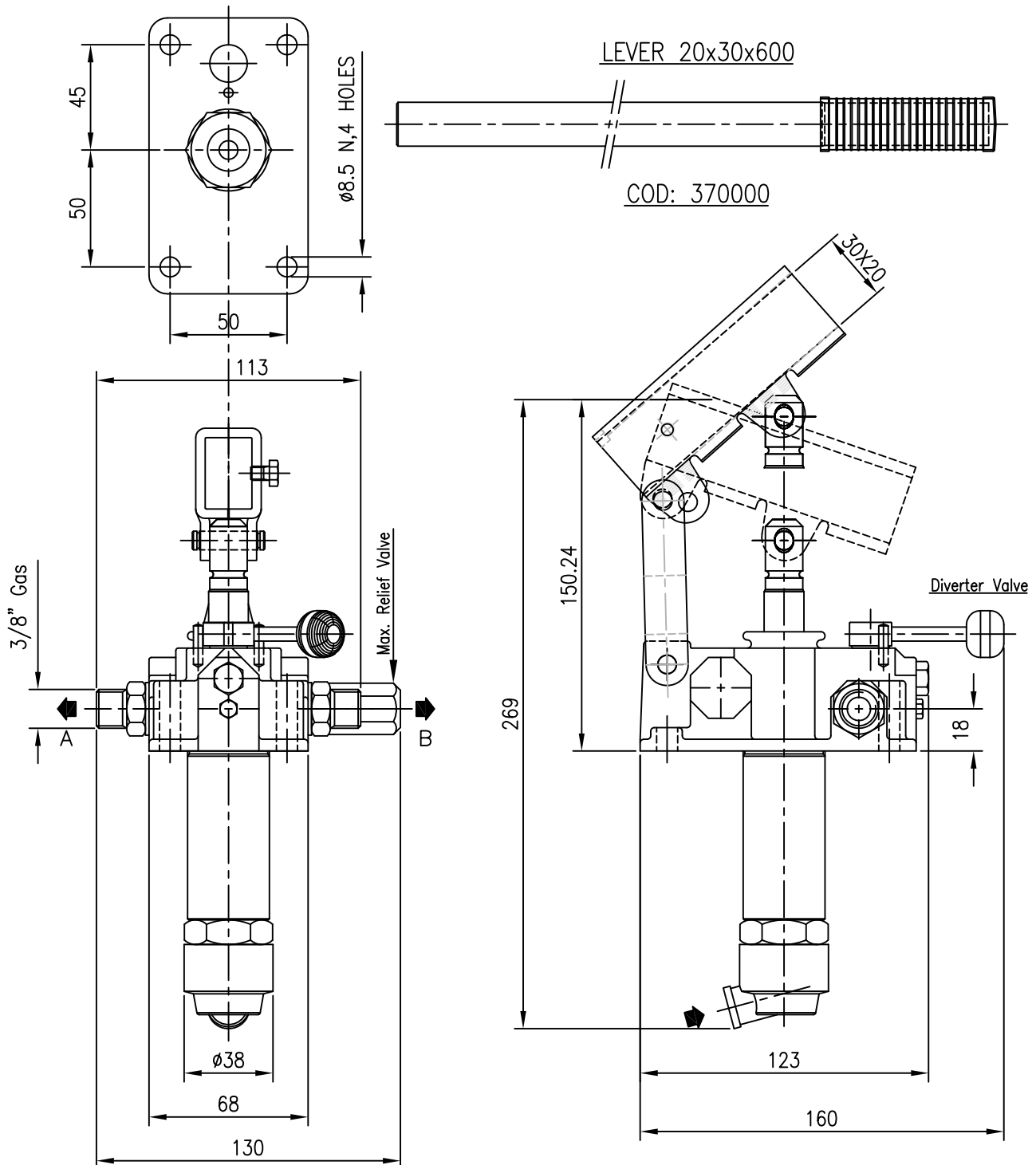
CODE  
12.XX.02

MF-DV= Hand Pump with 4 ways diverter valve & max. relief valve



PUMP TYPE	DELIVERY	MAX. PRESSURE	WEIGHT
	cm <sup>3</sup>	Bar	Kg.
MF-DV 12 COD. 121202	12	380	2.850
MF-DV 25 COD. 152502	25	350	2.950
MF-DV 45 COD. 154502	45	280	3.150

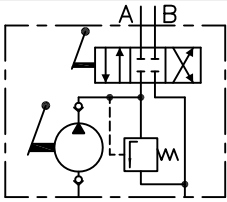
HAND PUMP WITH MAX RELIEF VALVE FOR SINGLE ACTING CYLINDERS



TYPE  
MF-DVB

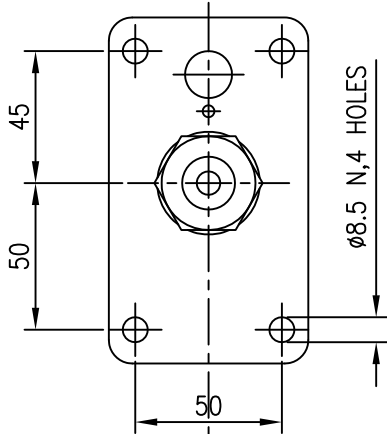
CODE  
12.XX.03

MF-DVB= Hand Pump with 4 ways diverter valve, relief valve & bellows

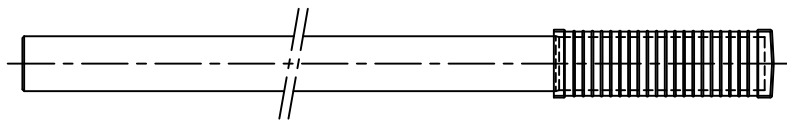


PUMP TYPE	DELIVERY	MAX. PRESSURE	WEIGHT
	cm3	Bar	Kg.
MF-DVB 12 COD. 121203	12	380	2.900
MF-DVB 25 COD. 122503	25	350	3.000
MF-DVB 45 COD. 124503	45	280	3.250

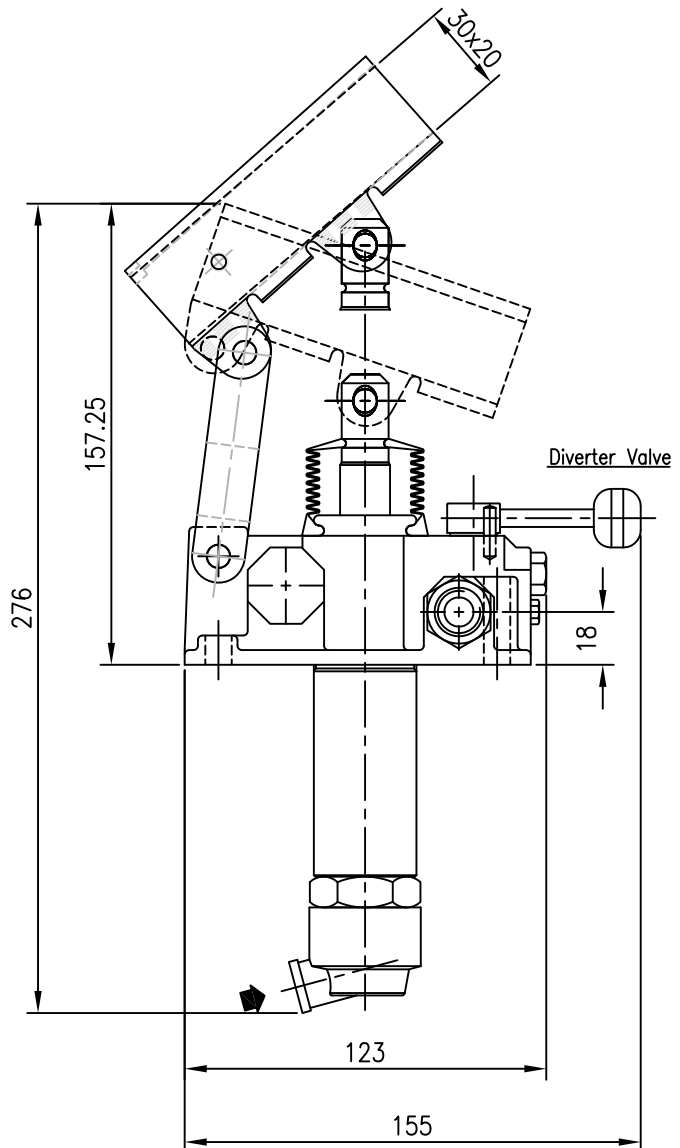
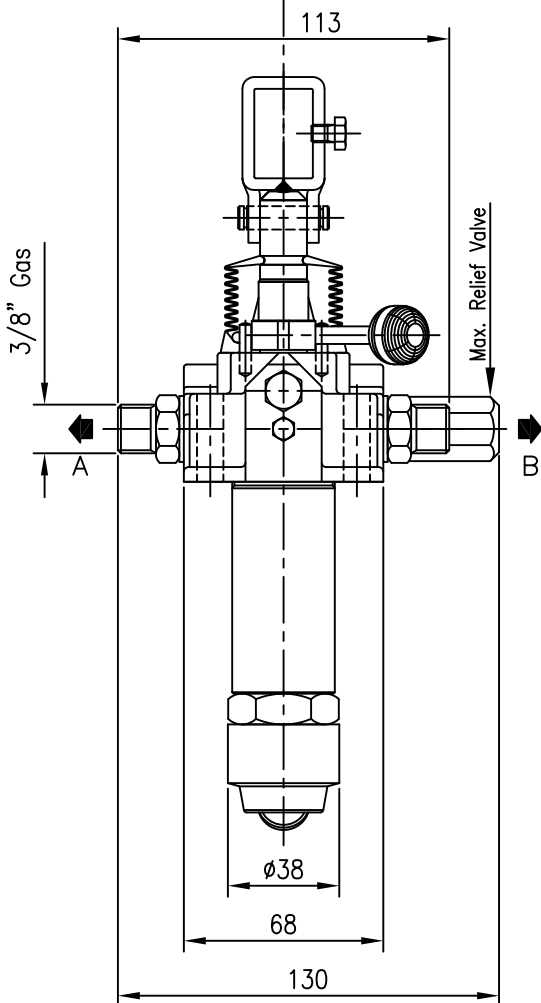
HAND PUMP WITH MAX RELIEF VALVE FOR SINGLE ACTING CYLINDERS



LEVER 20x30x600



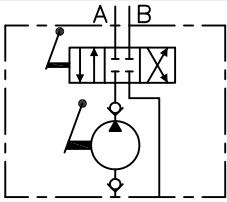
COD: 370000



TYPE  
MF-TD

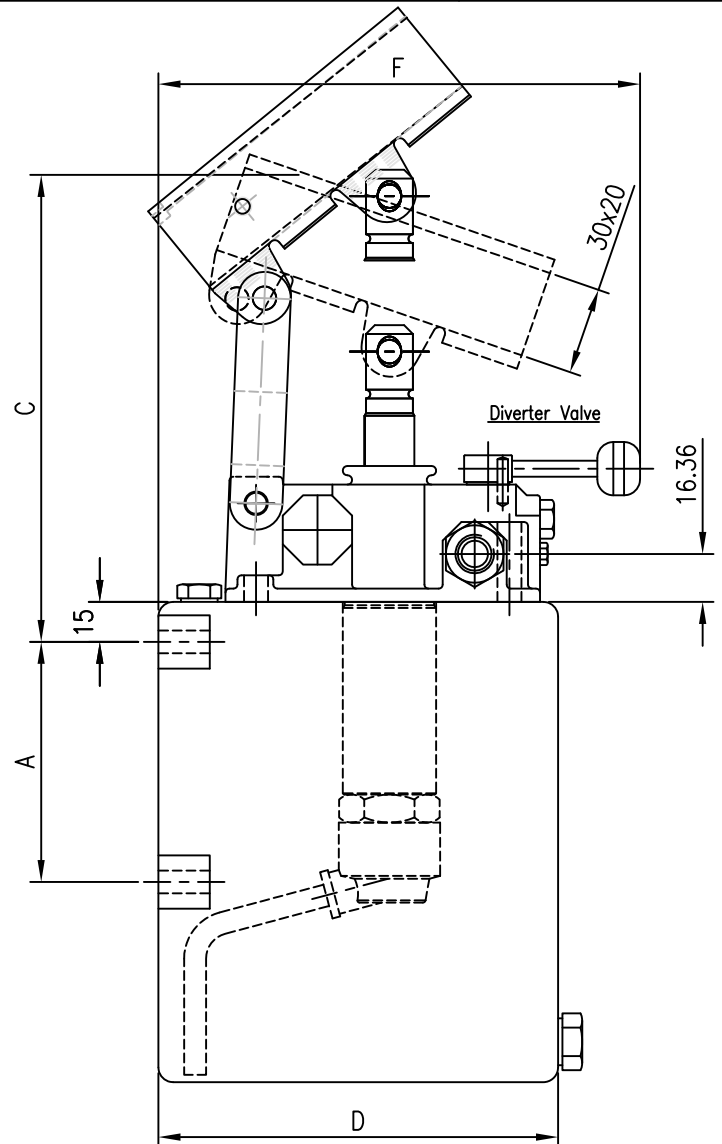
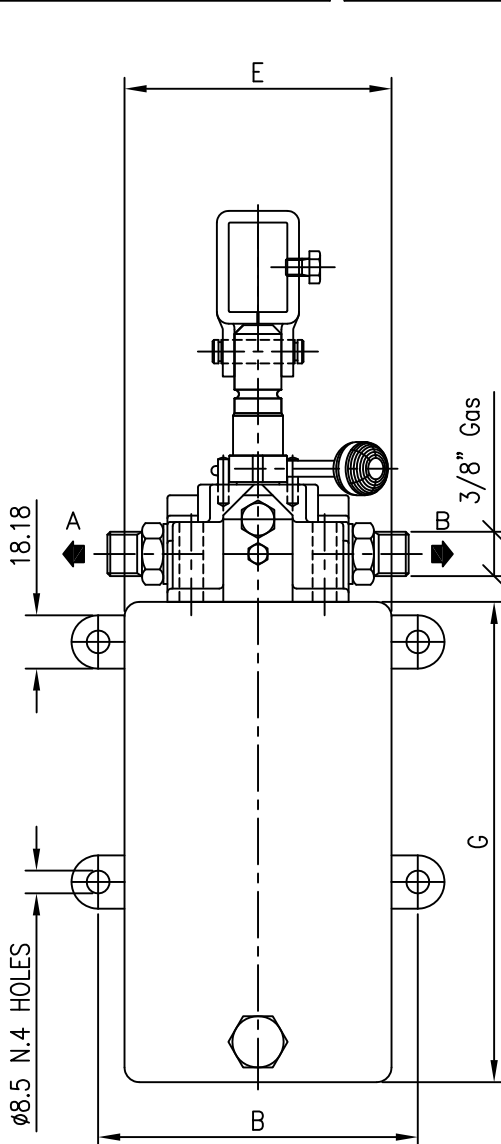
CODE  
12.XX.00

MF-TD= Hand Pump with 4 ways diverter valve



Pump for double acting cylinder

PUMP TYPE	DELIVERY	MAX. PRESSURE
	cm <sup>3</sup>	Bar
MF-TD 12 COD. 121200	12	380
MF-TD 25 COD. 122500	25	350
MF-TD 45 COD. 124500	45	280
ON REQUEST	Max Relief valve	COD: 10XX07



PUMP TYPE	TANK CAPACITY (Litre)	CODE	DIMENSIONS (mm)							TANK
			A	B	C	D	E	F	G	Kg
MF-TD 12	1	110001	90	120	175	150	100	186	120	2
	2	110002							180	2.2
	3	110003							247	2.5
MF-TD 25	5	110005	90	195	175	175	175	206	200	4.5
	7	110007							269	5.4
MF-TD 45	10	110010							376	6.8

# M&F

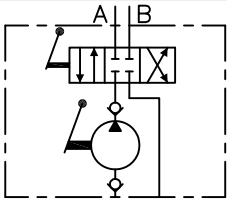
**Oleodinamica**

## HAND PUMPS

TYPE  
MF-TDB

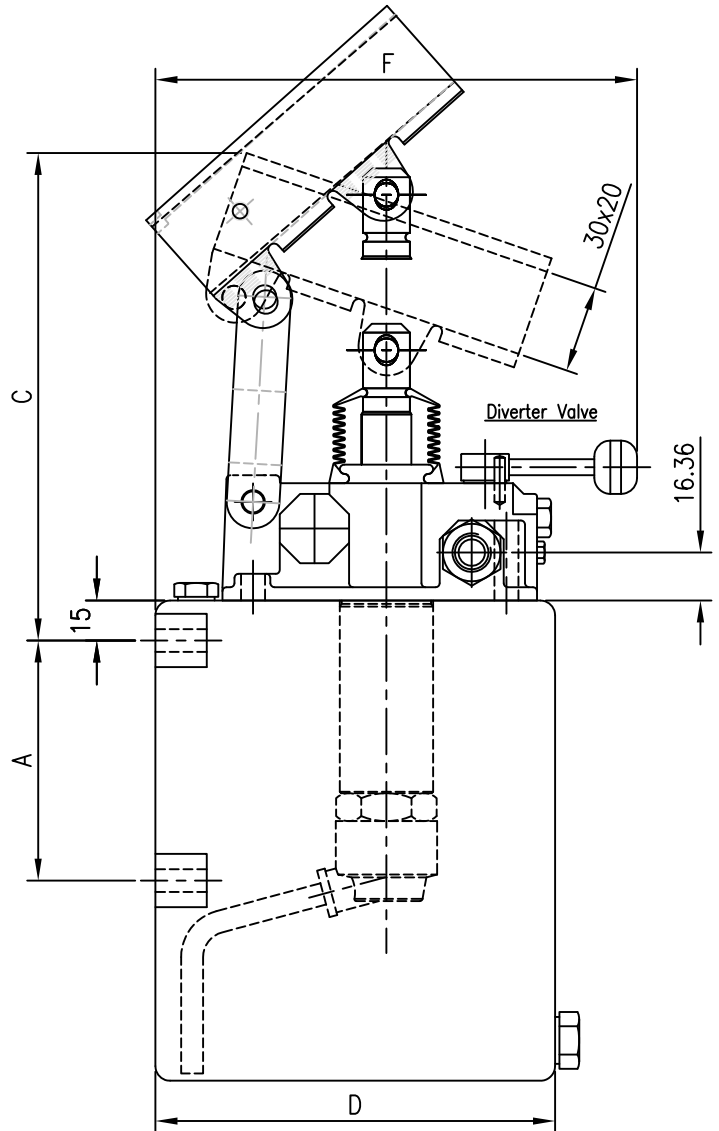
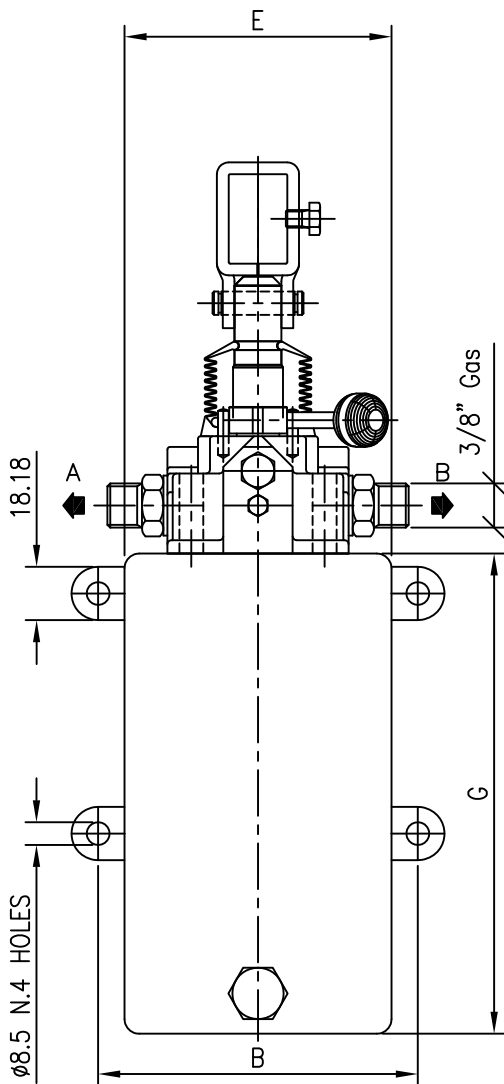
CODE  
12.XX.01

MF-TDB= Hand Pump with 4 ways diverter valve & bellows



Pump for double acting cylinder

PUMP TYPE	DELIVERY	MAX. PRESSURE
	cm <sup>3</sup>	Bar
MF-TDB 12 COD. 121201	12	380
MF-TDB 25 COD. 122501	25	350
MF-TDB 45 COD. 124501	45	280
ON REQUEST	Max Relief valve	COD: 10XX07



PUMP TYPE	TANK CAPACITY (Litre)	CODE	DIMENSIONS (mm)							TANK Kg
			A	B	C	D	E	F	G	
MF-TDB12	1	110001	90	120	175	150	100	186	120	2
	2	110002							180	2.2
	3	110003							247	2.5
MF-TDB25	5	110005	90	195	175	175	175	206	200	4.5
	7	110007							269	5.4
MF-TDB45	10	110010							376	6.8